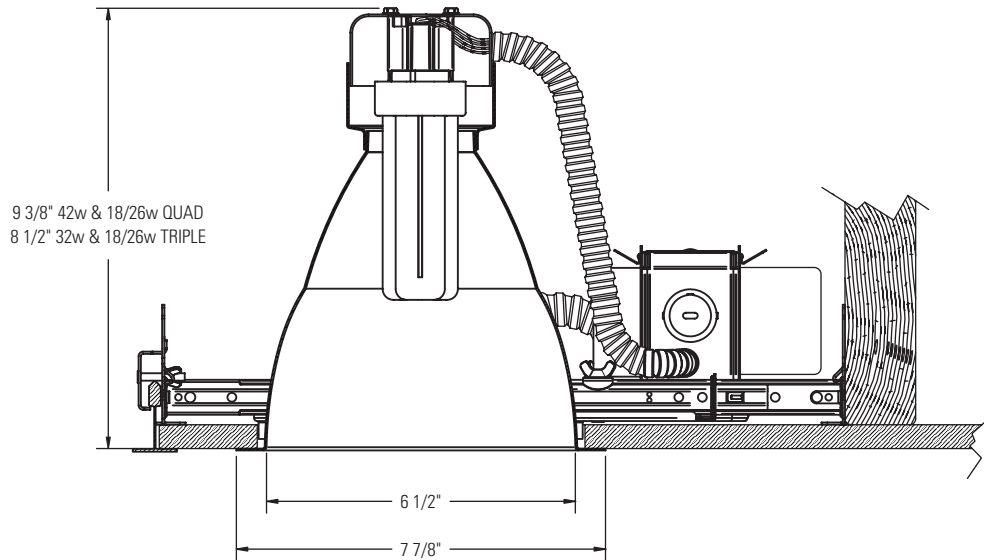


Lytecaster® Performance Recessed CFL Downlighting **1101IE**

Page 1 of 2

6 ¾" Aperture Vertical Open Downlight, Compact Fluorescent, Performance Series, Integrated Emergency, Reflector Trim



Complete Fixture consists of Frame-In Kit and Reflector Trim. Select each separately.

Uniframe™ Compact Fluorescent Performance Series Reflector Trims		Compatible Frame In Kits (See Individual Frame-In Kit Specification Sheets)		
Catalog No.	Description	Catalog No.	Installation Type	Lamping
1101CLIE	6 ¾" Open Downlight - Integrated Emergency - Specular Clear	1101F2642UEL	Uniframe™ Non-IC High-Lumen Emergency 120/277V	26W Quad/Triple
1101CDIE	6 ¾" Open Downlight - Integrated Emergency - Clear Diffuse			32W Triple
				42W Triple

Features

- Reflector:** Formed aluminum. Matte White flange.
- Finishes:** CL = Specular Clear (Iridescent Free coating)
CD = Clear Diffuse
- Performance Data:** 60° Cutoff angle.
See attached photometric reports for distribution and efficiency data.
Go to www.lightolier.com for .IES files.

Labels

cULus Listed. Suitable for Damp Locations. I.B.E.W.

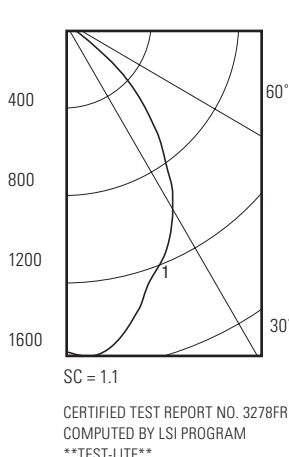
Job Information	Type:
Job Name:	
Cat. No.:	
Lamp(s):	
Notes:	

Lightolier a Genlyte company www.lightolier.com
631 Airport Road, Fall River, MA 02720 • (508) 679-8131 • Fax (508) 674-4710
We reserve the right to change details of design, materials and finish.
© 2007 Genlyte Group LLC • A1207

LIGHTOLIER®

Lytecaster® Performance Recessed CFL Downlighting **1101E**

42W G.E. 4 PIN TRIPLE BIAx, LUMEN RATING = 3200 LMS, CL FINISH TRIM

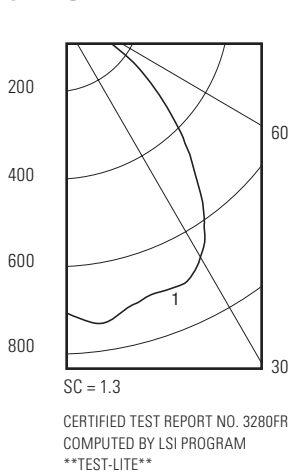


CANDLEPOWER SUMMARY		ZONAL LUMEN SUMMARY		ZONAL LUMENS AND PERCENTAGES			
Angle	0° CP	Zone	Lumens	Zone	Lumens	%Lamp	%Fixt
0	1482	0-10	143.51	0-30	1043.18	32.6	49.1
5	1521	10-20	379.14	0-40	1579.97	49.4	74.3
10	1468	20-30	520.52	0-60	2119.92	66.2	99.7
15	1354	30-40	536.79	0-90	2125.77	66.4	100
20	1226	40-50	411.63	90-120	0	0	0
25	1137	50-60	128.32	90-130	0	0	0
30	1017	60-70	4.54	90-150	0	0	0
35	864	70-80	1.31	90-180	2125.77	66.4	100
40	699	80-90	0				
45	538	90-100	0				** Efficiency = 66.4% **
50	363	100-110	0				
55	112	110-120	0				
60	13	120-130	0				
65	3	130-140	0				
70	2	140-150	0				
75	1	150-160	0				
80	0	160-170	0				
85	0	170-180	0				
90	0		0				

COEFFICIENTS OF UTILIZATION													
Ceiling		80%			70%			50%			30%		
Wall	RCR	70	50	30	10	50	10	50	10	50	10	0	
Zonal Cavity Method - Effective Floor Reflectance = 20%													
0	0	79	79	79	79	77	77	74	74	71	71	66	
1	1	75	73	71	69	71	68	69	66	66	64	61	
2	2	70	67	63	61	65	60	63	59	61	57	55	
3	3	66	61	57	54	60	53	58	53	56	52	50	
4	4	62	56	51	48	55	48	53	47	52	47	45	
5	5	58	51	47	43	51	43	49	43	48	42	41	
6	6	54	47	43	39	47	39	46	39	41	38	37	
7	7	51	44	39	36	43	36	42	35	41	35	34	
8	8	48	40	36	33	40	33	39	32	38	32	31	
36	36	45	38	33	30	37	30	37	30	36	30	29	
10	10	42	35	31	28	35	28	34	28	34	27	26	

Determined In Accordance With Current IES Published Procedures
 Luminaire Input Watts = 44

32W G.E. 4 PIN TRIPLE BIAx, LUMEN RATING = 2200 LMS, CL FINISH TRIM

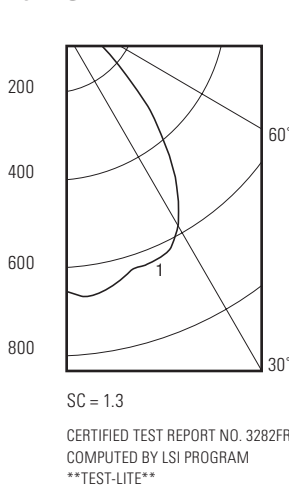


CANDLEPOWER SUMMARY		ZONAL LUMEN SUMMARY		ZONAL LUMENS AND PERCENTAGES			
Angle	0° CP	Zone	Lumens	Zone	Lumens	%Lamp	%Fixt
0	686	0-10	68.98	0-30	590.62	26.8	40.7
5	719	10-20	200.27	0-40	962.92	43.8	66.4
10	729	20-30	321.37	0-60	1441.31	65.5	99.3
15	706	30-40	372.3	0-90	1450.77	65.9	100
20	697	40-50	313.27	90-120	0	0	0
25	702	50-60	165.12	90-130	0	0	0
30	671	60-70	8.4	90-150	0	0	0
35	601	70-80	1.05	90-180	1450.77	65.9	100
40	508	80-90	0				
45	408	90-100	0				** Efficiency = 65.9% **
50	306	100-110	0				
55	197	110-120	0				
60	37	120-130	0				
65	4	130-140	0				
70	2	140-150	0				
75	1	150-160	0				
80	0	160-170	0				
85	0	170-180	0				
90	0		0				

COEFFICIENTS OF UTILIZATION													
Ceiling		80%			70%			50%			30%		
Wall	RCR	70	50	30	10	50	10	50	10	50	10	0	
Zonal Cavity Method - Effective Floor Reflectance = 20%													
0	0	79	79	79	79	77	77	73	73	70	70	66	
1	1	74	72	70	68	70	67	68	65	65	63	60	
2	2	69	65	62	59	64	58	62	57	60	56	53	
3	3	64	59	55	51	58	51	56	50	54	49	47	
4	4	60	53	49	45	53	45	51	44	50	44	42	
5	5	56	49	44	40	48	40	47	40	45	39	38	
6	6	52	44	39	36	44	36	43	35	42	35	34	
7	7	48	41	36	32	40	32	39	32	38	32	30	
8	8	45	37	32	29	37	29	36	29	35	29	27	
36	36	42	34	30	26	34	26	33	26	33	26	25	
10	10	40	32	27	24	32	24	31	24	30	24	23	

Determined In Accordance With Current IES Published Procedures
 Luminaire Input Watts = 33

26W G.E. 4 PIN TRIPLE BIAx, LUMEN RATING = 1710 LMS, CL FINISH TRIM



CANDLEPOWER SUMMARY		ZONAL LUMEN SUMMARY		ZONAL LUMENS AND PERCENTAGES			
Angle	0° CP	Zone	Lumens	Zone	Lumens	%Lamp	%Fixt
0	632	0-10	63.18	0-30	530.36	31	47.5
5	660	10-20	181.85	0-40	842.82	49.3	75.4
10	666	20-30	285.32	0-60	1115.14	65.2	99.8
15	642	30-40	312.46	0-90	1117.5	65.4	100
20	628	40-50	214.19	90-120	120	0	0
25	625	50-60	58.13	90-130	0	0	0
30	585	60-70	1.96	90-150	0	0	0
35	507	70-80	.39	90-180	1117.5	65.4	100
40	403	80-90	0				
45	281	90-100	0				** Efficiency = 65.4% **
50	153	100-110	0				
55	57	110-120	0				
60	5	120-130	0				
65	2	130-140	0				
70	1	140-150	0				
75	0	150-160	0				
80	0	160-170	0				
85	0	170-180	0				
90	0		0				

COEFFICIENTS OF UTILIZATION													
Ceiling		80%			70%			50%			30%		
Wall	RCR	70	50	30	10	50	10	50	10	50	10	0	
Zonal Cavity Method - Effective Floor Reflectance = 20%													
0	0	78	78	78	78	76	76	73	73	70	70	65	
1	1	74	71	70	68	70	67	67	65	65	63	60	
2	2	69	65	62	60	64	59	62	58	60	56	54	
3	3	65	60	56	53	59	52	57	52	55	51	49	
4	4	61	55	50	47	54	47	52	46	51	46	44	
5	5	57	50	46	42	50	42	48	42	47	41	40	
6	6	53	46	42	38	46	38	45	38	44	37	36	
7	7	50	43	38	35	42	35	41	34	40	34	33	
8	8	47	39	35	32	39	31	38	31	37	31	30	
36	36	44	36	32	29	36	29	35	29	35	29	27	
10	10	41	34	29	27	41	29	34	27	33	26	25	

Determined In Accordance With Current IES Published Procedures
 Luminaire Input Watts = 28

Job Information **Type:**

Lightolier a Genlyte company www.lightolier.com
 631 Airport Road, Fall River, MA 02720 • (508) 679-8131 • Fax (508) 674-4710
 We reserve the right to change details of design, materials and finish.
 © 2007 Genlyte Group LLC • A1207

LIGHTOLIER®